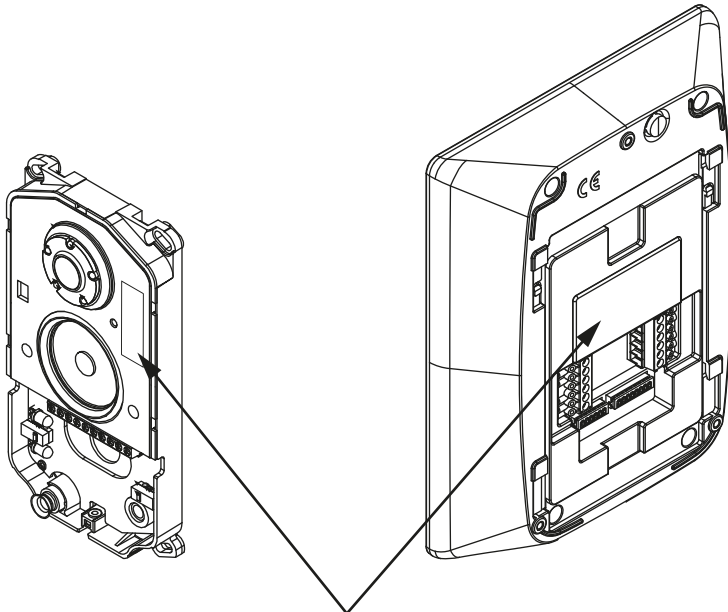


ADDENDUM

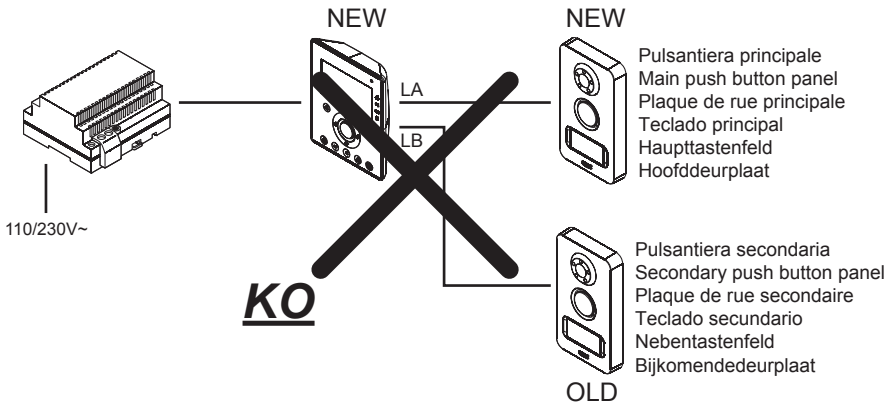
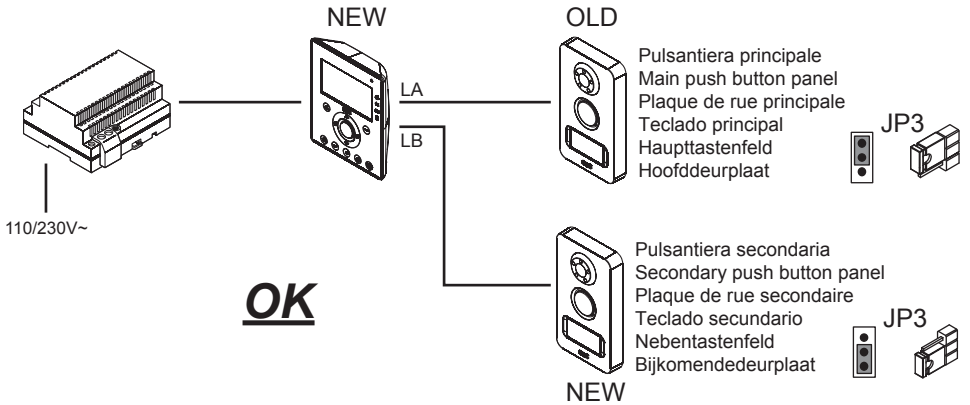
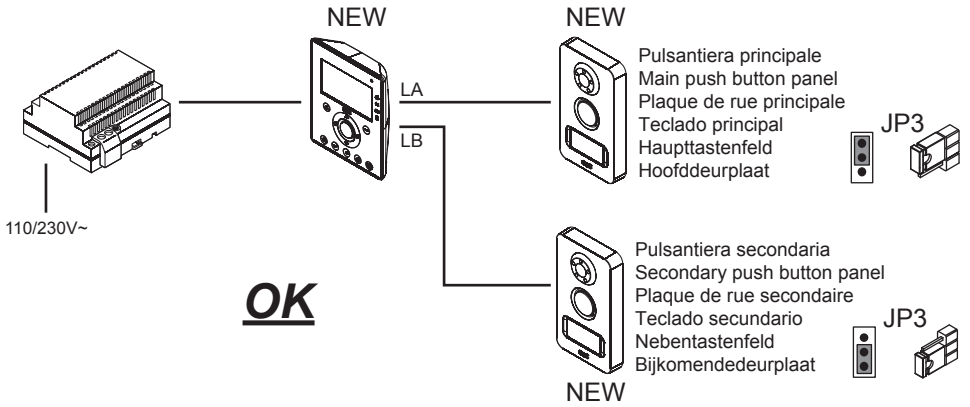


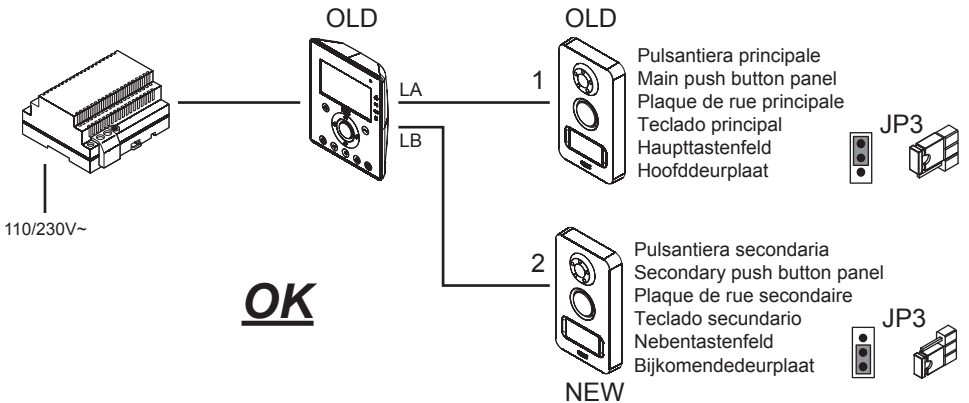
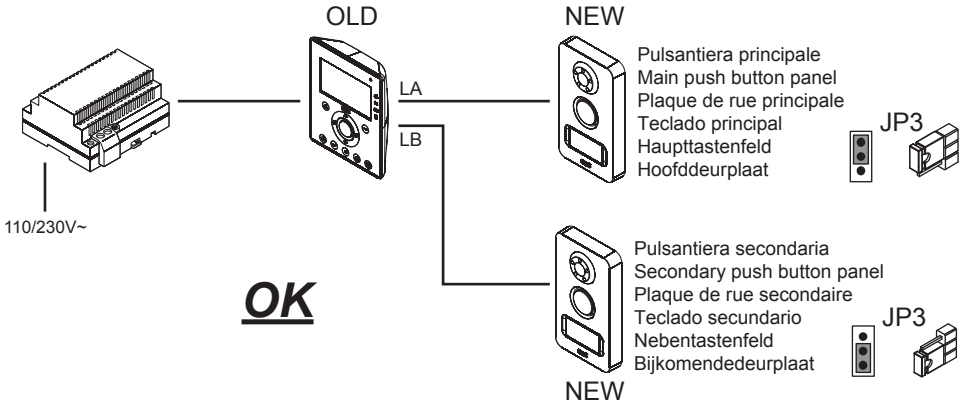
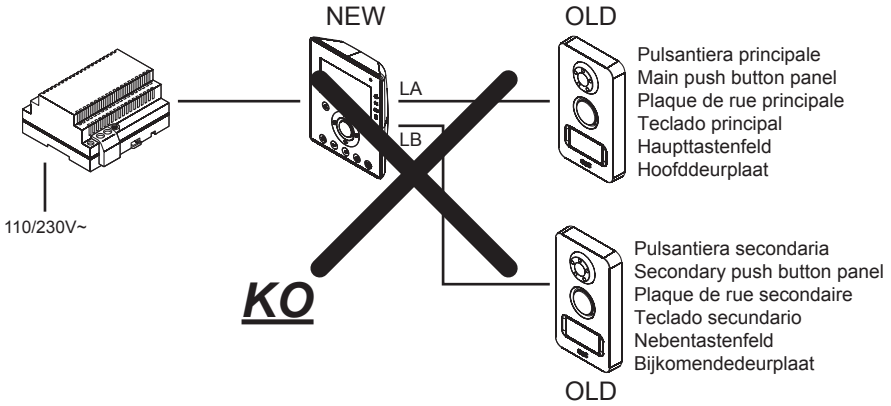
etichetta gialla
yellow label
étiquette jaune
etiqueta amarilla
Gelbes Etikett
geel label

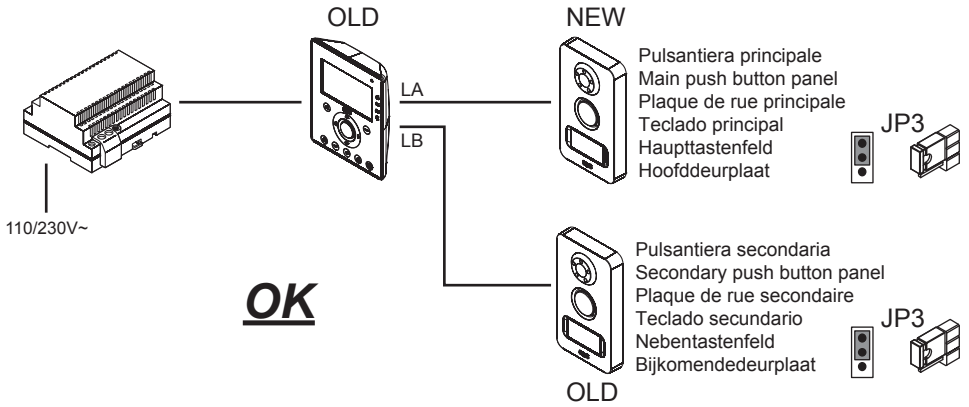
NEW

etichetta bianca
white label
étiquette blanc
etiqueta blanca
Weiß Etikett
wit label

OLD







DS 1722-050

URMET S.p.A.
10154 TORINO (ITALY)
VIA BOLOGNA 188/C
Telef. +39 011.24.00.000 (RIC. AUT.)
Fax +39 011.24.00.300 - 323

urmet

LBT 8790

Area tecnica
servizio clienti +39 011.23.39.810
<http://www.urmet.com>
e-mail: info@urmet.com